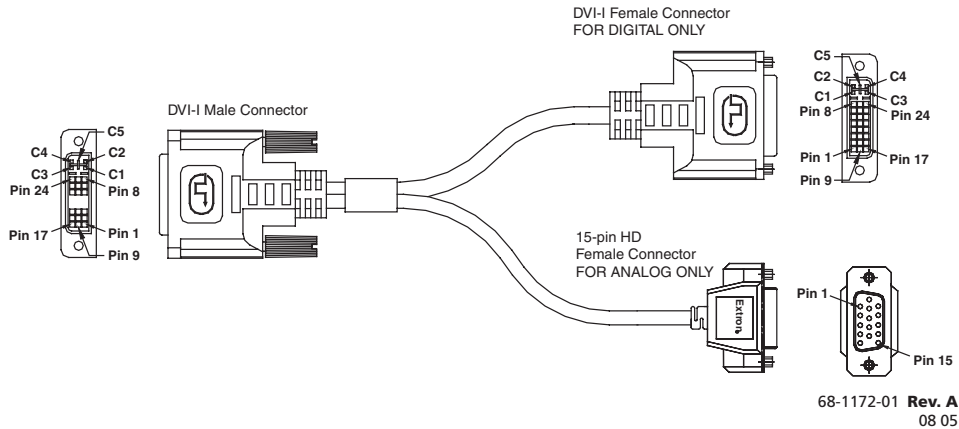


## DVI Analog Breakout Adapter DVIIM-VGAF/DVIIF (Part #26-612-01)

The DVIIM-VGAF/DVIIF DVI Analog Breakout Adapter is a 12-inch long “Y” type adapter that has a DVI-I male connector on one end, with the analog signals routed to the 15-pin HD female connector and the digital signals routed to the DVI-I female connector on the other end.

**NOTE** *The 15-pin HD female connector carries the analog signal only, while the DVI-I female connector carries the digital signal only. See the diagram below.*



## End to End Connections

### Analog Signals

DVI-I Male Pin #	VGA Female Pin #	Function
C1	1	Analog red video out
C5	6	Return (RGB video out)
C2	2	Analog green video out
C5	7	Return (RGB video out)
C3	3	Analog blue video out
C5	8	Return (RGB video out)
C4	13	Analog horizontal sync
15	6	Analog common ground
8	14	Analog vertical sync
15	7	Analog common ground
11, 22, 3	6, 7, 8, 10, 11	Shell/Ground

### Digital Signals

DVI-I Male Pin #	DVI-I Female Pin #	Function
10	10	TMDS data 1+
9	9	TMDS data 1-
11	11	TMDS data 1 shield
22	22	TMDS clock shield
23	23	TMDS clock +
24	24	TMDS clock -
15	15	Ground for +5V
14	14	+5V power
2	2	TMDS data 2+
1	1	TMDS data 2-
3	3	TMDS data 2 shield
18	18	TMDS data 0+
17	17	TMDS data 0-
16	16	Hot plug detect
7	7	DDC data
6	6	DDC clock
11, 22, 3	11, 22, 3	Shell/Ground



www.extron.com

**Extron Electronics, USA**  
1230 South Lewis Street  
Anaheim, CA 92805  
USA  
714.491.1500  
Fax 714.491.1517

**Extron Electronics, Asia**  
135 Joo Seng Road, #04-01  
PM Industrial Building  
Singapore 368363  
+65.6383.4400  
Fax +65.6383.4664

**Extron Electronics, Europe**  
Beeldschermweg 6C  
3821 AH Amersfoort  
The Netherlands  
+31.33.453.4040  
Fax +31.33.453.4050

**Extron Electronics, Japan**  
Kyodo Building  
16 Ichibancho  
Chiyoda-ku, Tokyo 102-0082 Japan  
+81.3.3511.7655  
Fax +81.3.3511.7656